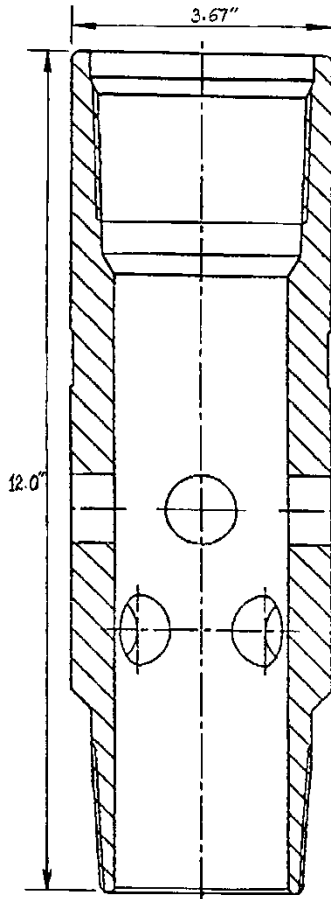


PORTED SUB



APPLICATION

Ported subs are used to provide a flow entry point into the tubing. They are usually located close to the bottom of the packer.

OPERATION

Subs are made with a flow area greater than the cross sectional area of the tubing specified. The ported sub shown has 2 sets of 4 x 1.0" holes drilled at right-angles and offset from each other by 45°. Subs are made to order to suit the completion string being run.

SPECIFICATIONS	2-3/8"	2-7/8"	3-1/2"
Thread	8rd EUE or as specified		
Min ID (in)	1.99	2.25	2.99
Max OD (in)	3.06	3.67	4.50
Max Torque (ft-lb)	1,700	2,800	3,040
Max Tensile Load (lb)	99,000	138,000	190,000